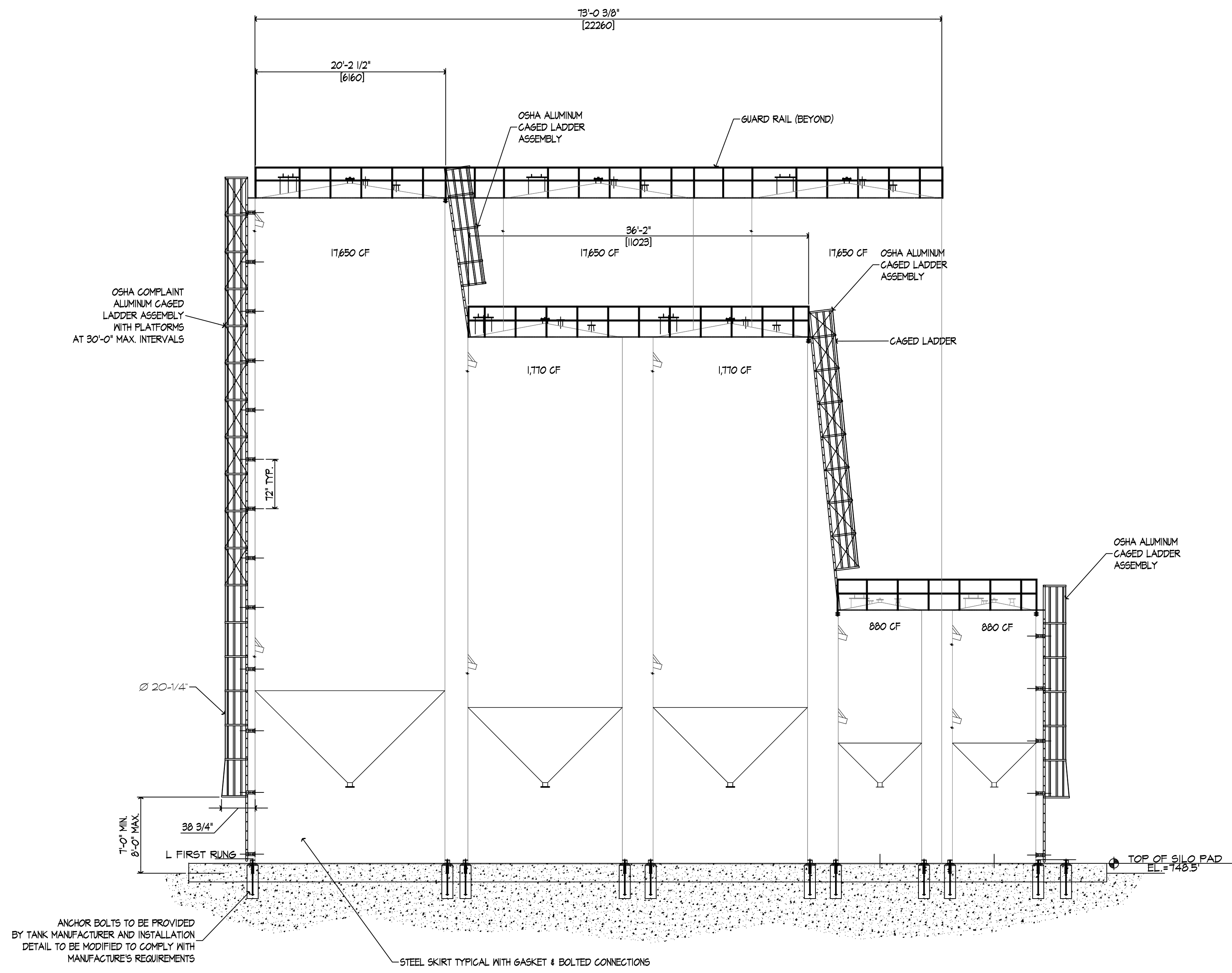
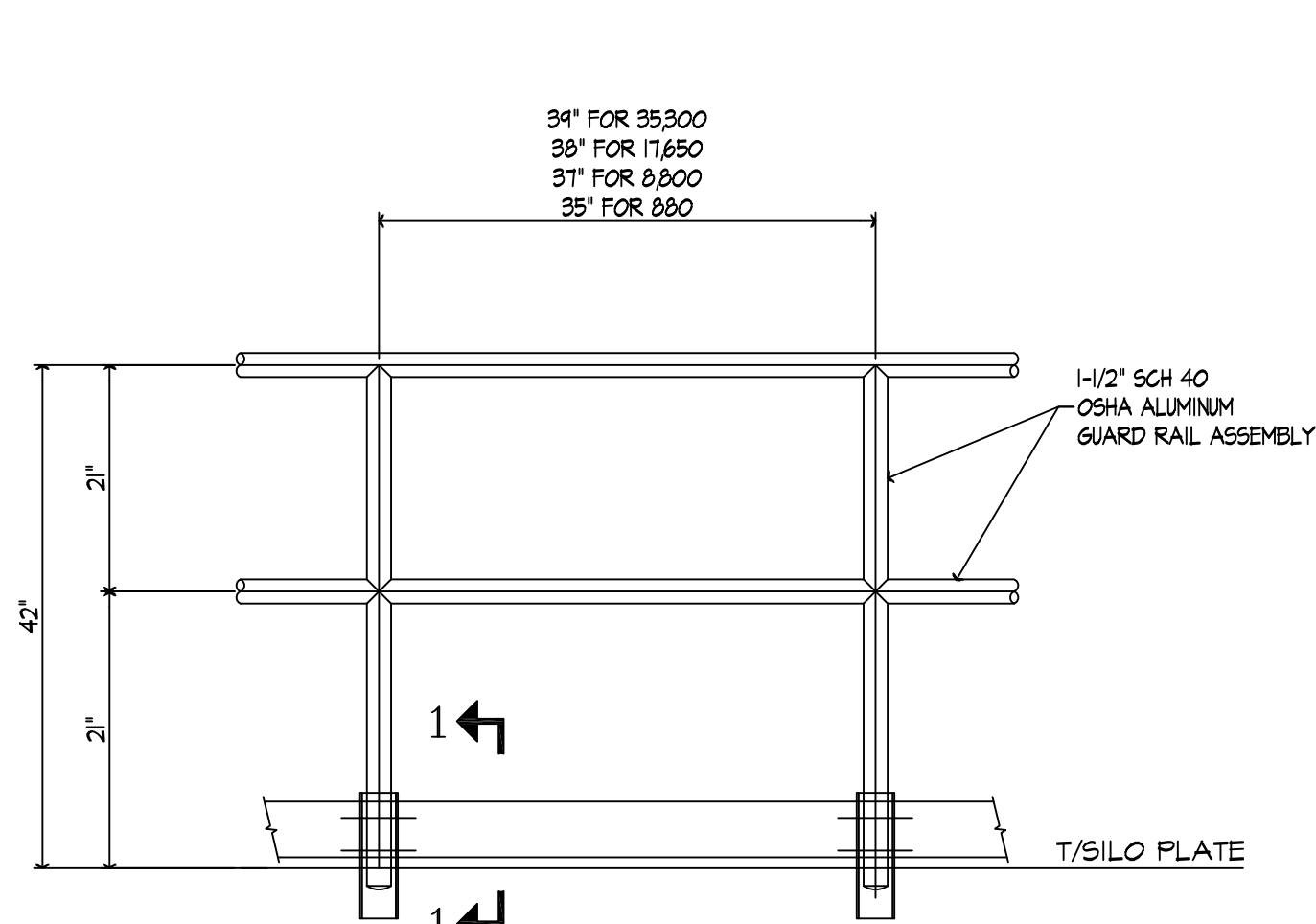


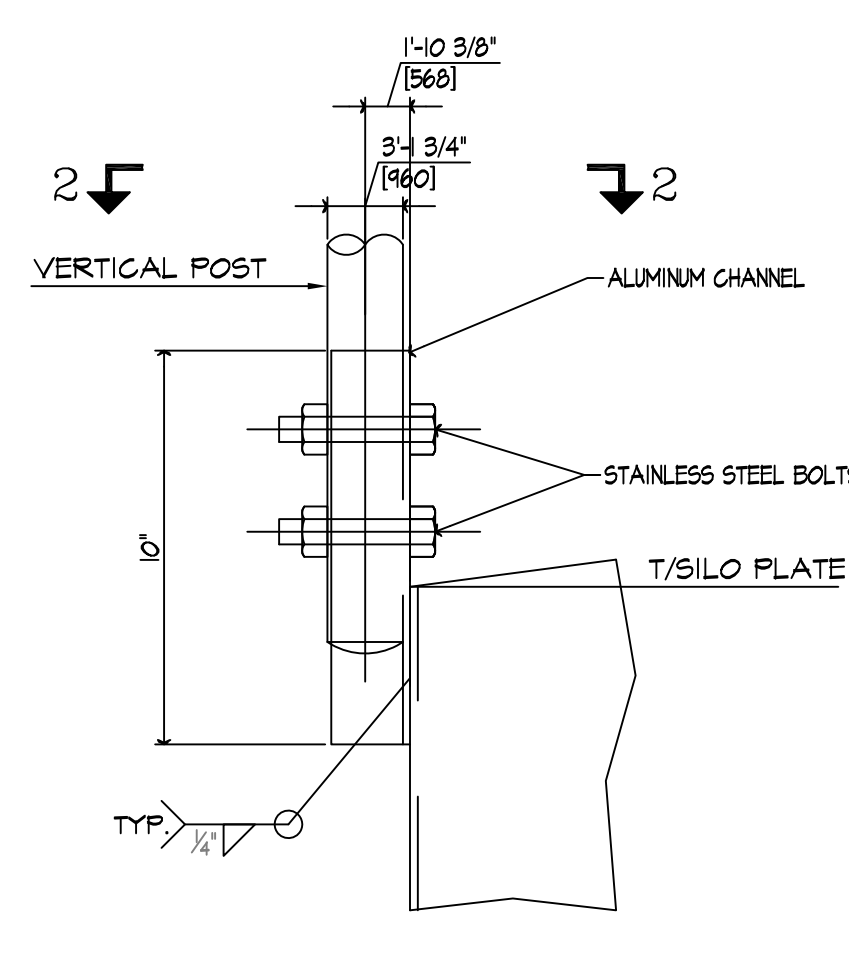
SILO PLATFORM - PLAN VIEW (A-A-001)  
SCALE: 1/8"=1'-0"



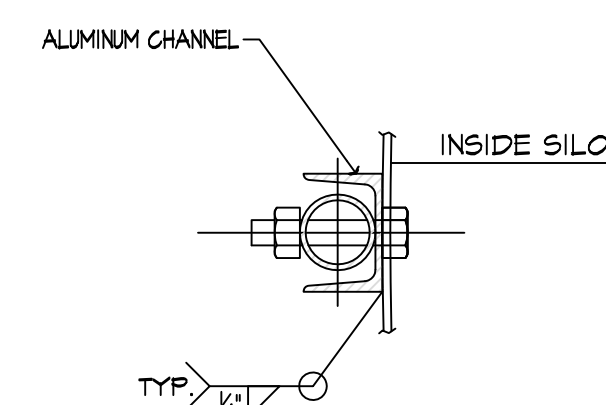
SILO PLATFORM - ELEVATION (A-A-001)  
SCALE: 1/8"=1'-0"



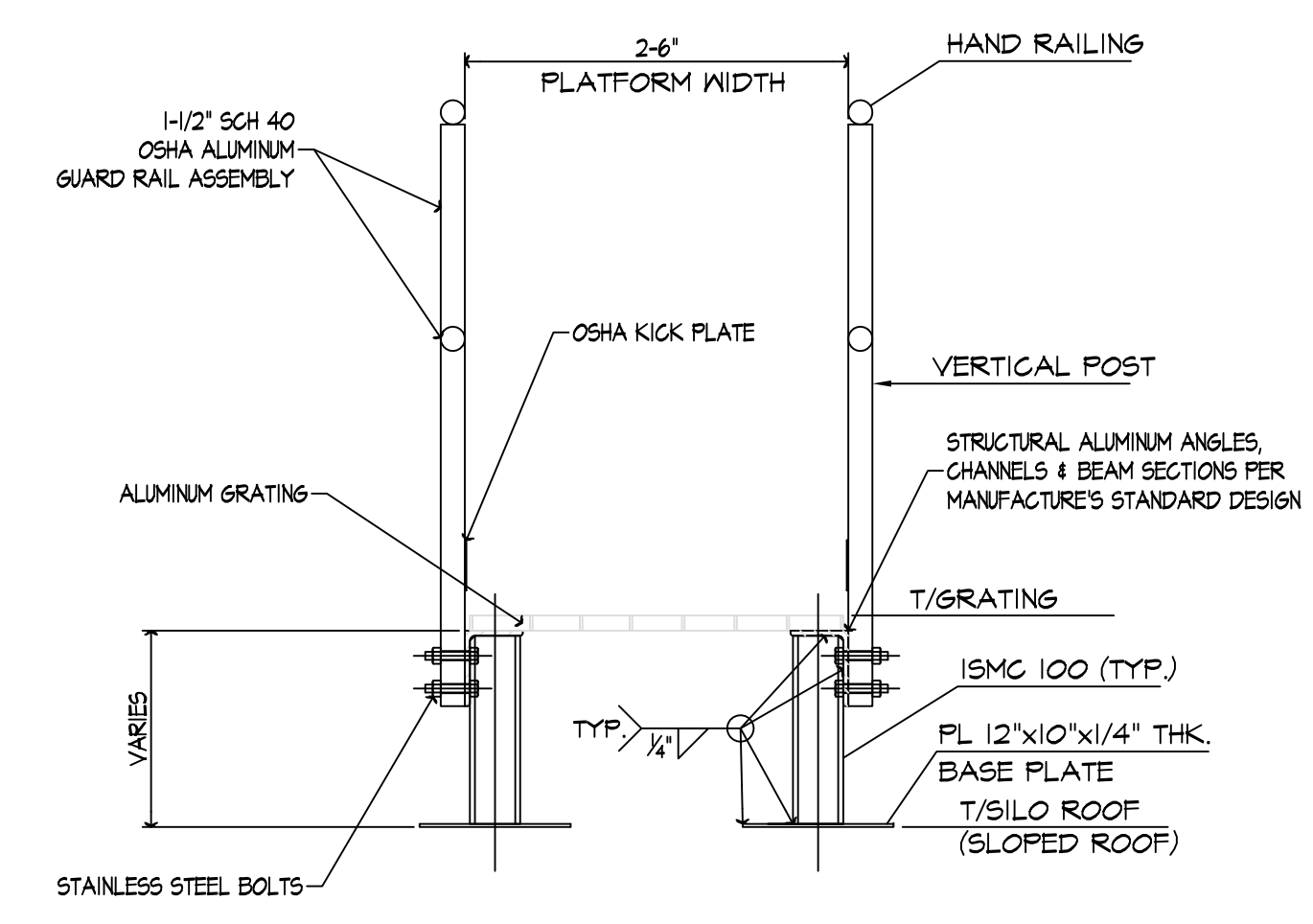
VIEW - X



SECTION 1-1



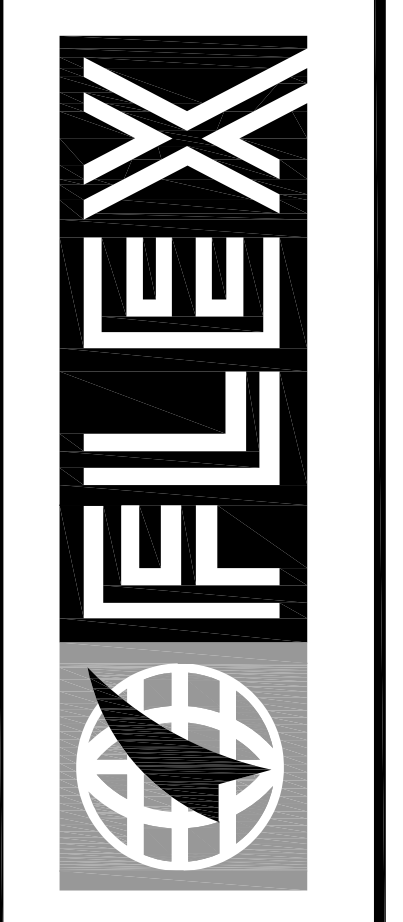
SECTION 2-2



SECTION 3-3

(TYPICAL 1-1/2" ALUM. GUARD RAILING DETAILS)

- NOTES:
- ROLLED ALUMINUM PLATE SHALL BE 5454 DESIGNATION
  - STRUCTURAL ALUMINUM & DECKING SHALL BE 6061-T6 DESIGNATION
  - VERTICAL DEFLECTION OF SUPPORTED CATWALK SPAN SHALL NOT EXCEED L/400
  - HORIZONTAL DEFLECTION OF SUPPORTED CATWALK SPAN SHALL NOT EXCEED 4500
  - WALKWAY LIVE LOAD IS TO BE 85# PER S.F.
  - THE CONTRACTOR SHALL PREPARE AND SUBMIT FULL CATWALK CONSTRUCTION PLANS TO FIT THE SPAN REQUIREMENTS FOR THE DIMENSIONS & PLACEMENTS OF THE EQUIPMENT TO BE PROVIDED.
  - SHOP DRAWINGS SHALL BE SUBMITTED FOR APPROVAL BEFORE FABRICATION
  - CATWALK AND CASE LADDER CONSTRUCTION SHALL CONFORM TO THE SPECIFICATIONS OF AWS D12 CODE FOR STRUCTURAL WELDING OF ALUMINUM.
  - ALL FASTENERS WILL BE STAINLESS STEELTYPE 304 WITH INSTALLATION WASHERS



**FLEXFILMS, U.S.A., LLC**  
1221 NORTH BLACK BRANCH ROAD  
ELIZABETHTOWN, KENTUCKY 42702  
PROJECT L-12 BOPET U.S.A.

DATE	REVISION	BY

PROJECT NO. 2064-25  
DESIGNED BY A.J.G.  
DRAWN BY GAR  
CHECKED BY GAR  
REVIEWED BY  
DATE JULY 2011  
SCALE AS NOTED

**MS&P**  
Engineers  
Architects  
Planners  
OF KENTUCKY, INC.  
Phone: (859) 223-5684  
624 Wellington Way  
Lexington, KY 40503  
Fax: (859) 223-5687  
www.msap.com

DRAWING NO.

UFL-L12  
C-106

**STORAGE SILO DETAIL**